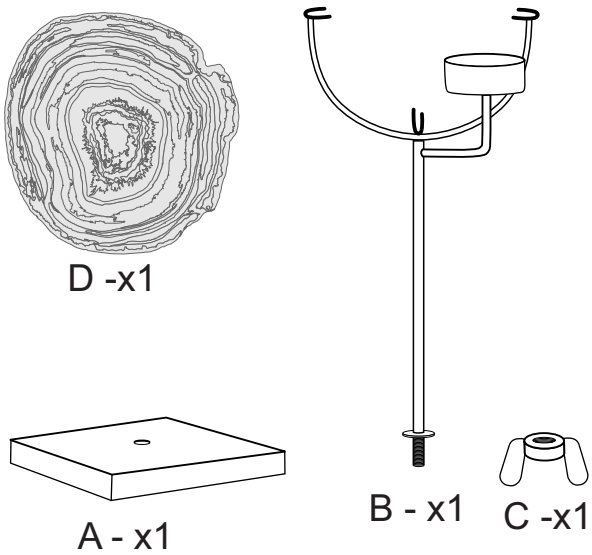


1 Components



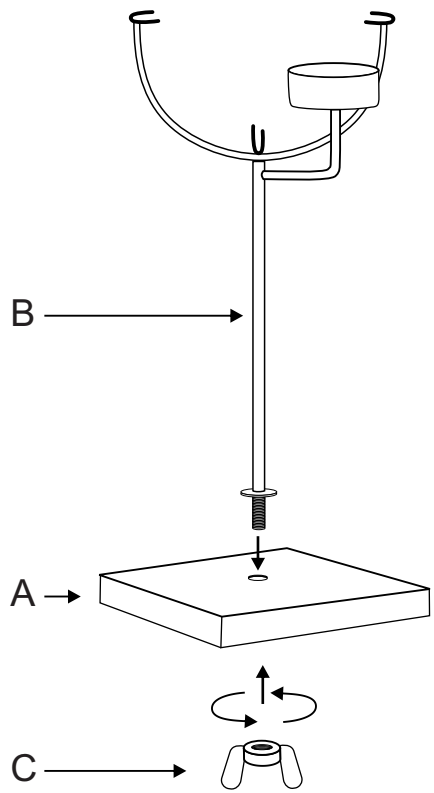
D - x1

A - x1

B - x1

C - x1

2

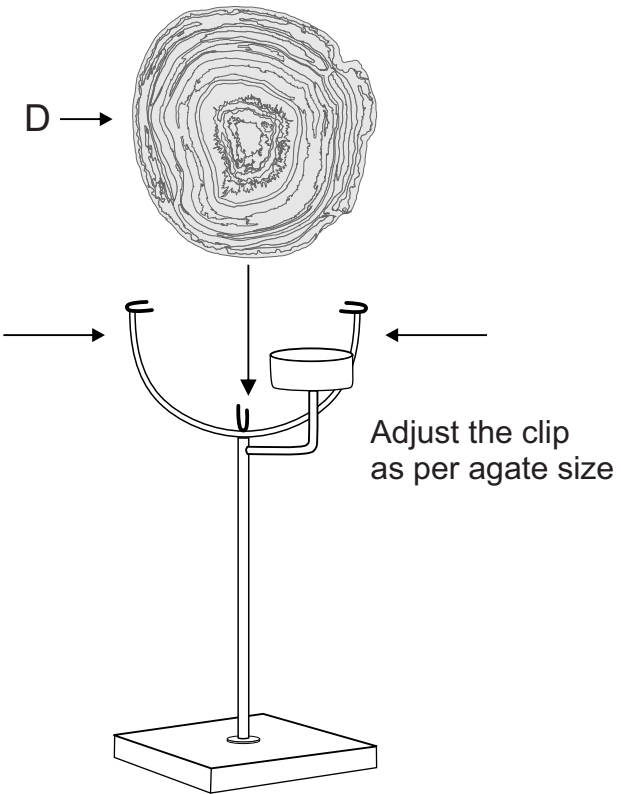


B

A

C

3



D

Adjust the clip as per agate size

4

